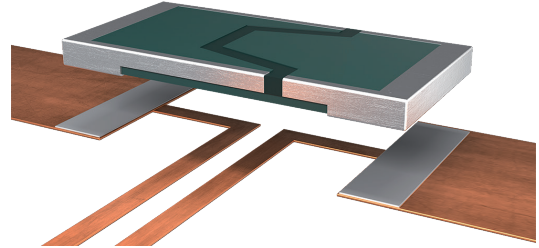




25005/VMP (2010)

ISA-PLAN® PRECISION RESISTOR



FEATURES

- Constant current up to 17 A (5 mOhm)
- 1.5 W power rating at 70 °C
- Two-terminal configuration
- Excellent temperature behavior
- Excellent heat dissipation
- High application temperature range -65 to +170 °C
- SnPb plated terminals

APPLICATIONS

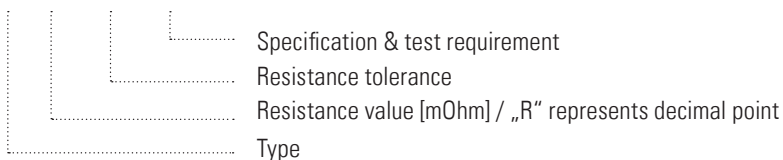
- Industrial Grade / Engineering Models (Test Code A)
- Military Grade (Test Code B)
- Space Level (Test Code T)

Technical data

Resistance values	mOhm	5 to 1000		
Tolerance	%	0.5 / 1		
Temperature coefficient	ppm/K	-55°C to +25°C	+25°C to +125°C	-55°C to +125°C
		±60	±35	±50
Applicable temperature range	°C	-65 to +170		
Power rating P_{70°C}	W	1.5		
Stability (at rated power) deviation after 1000h, T_K = Terminal temperature	%	<0.5 ($T_K=70^\circ\text{C}$)		

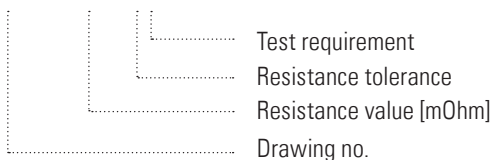
Ordering code Isabellenhütte

VMP - R100 - 0.5 - MT



DLA Part or Identifying Number (PIN)

25005 - ***** DT



Recommended solder profile

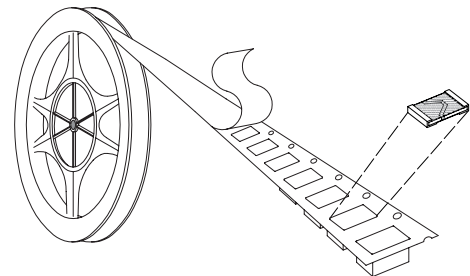
Reflow-, IR-soldering				
Temperature	°C	260	255	217
Time	sec	peak	40	90

Tape and reel information

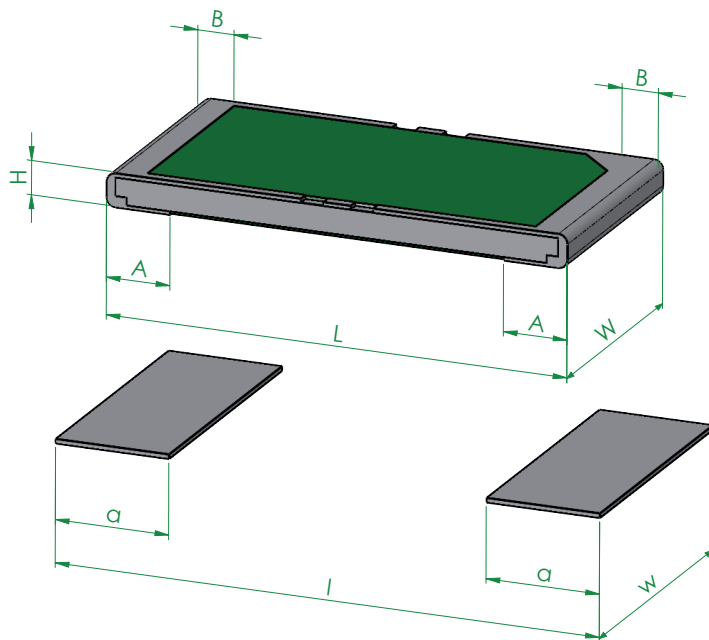
Specification	DIN EN 60286-3			
Tape width	mm	12		
Reel size	inch	13		

Form of delivery

Cut tape	pcs	up to 500		
Tape and reel	pcs	>500		



Mechanical dimensions and pcb-layout proposal (reflow-soldering) [mm]



Type	L	W	H	A	B
VMP-Mx	5.08 ± 0.2	2.54 ± 0.2	0.4 ± 0.15	0.7 ± 0.2	0.4 ± 0.15

Solder pad type	l	w	a
VMP-Mx	6	3	1.25

Disclaimer // All products, product specifications and data are subject to change without notice. The product specifications do not expand or otherwise modify Isabellenhütte's terms and conditions of sale, including but not limited to, the warranty expressed therein. Isabellenhütte makes no warranty, representation or guarantee other than as set forth in its terms and conditions of sale. Information provided in datasheets and/or specifications may vary from actual results in different applications. Any statements made by Isabellenhütte regarding the suitability of products for certain types of applications are based on its knowledge of typical requirements that are often placed on its products. It is the customer's responsibility to validate that a particular product with the properties described in the product specification is suitable for use in the application intended. No license, express or implied, or otherwise, to any intellectual property rights is granted by this document. Any and all liability arising out of the application or use of any product shall be as set forth in Isabellenhütte's terms and conditions of sale.

Available standard resistance values and tolerances*

Version	DLA drawing no.	Test code	Test requirements acc. to MIL-PRF 32773
Industrial Grade	25004	A	Group A inspection (M Level)
Military Grade		B	Group A & Group B inspection (T Level)
Space Level		T	Group A & Group B inspection (T Level) + Life Test (1000 hrs) acc. to para 4.5 of the DLA drawing

Ordering code	PIN	Ordering code	PIN
VMP-R005-0.5-MA	25005-OR005DA	VMP-R022-0.5-MT	25005-OR022DT
VMP-R005-0.5-MB	25005-OR005DB	VMP-R022-1.0-MA	25005-OR022FA
VMP-R005-0.5-MT	25005-OR005DT	VMP-R022-1.0-MB	25005-OR022FB
VMP-R005-1.0-MA	25005-OR005FA	VMP-R022-1.0-MT	25005-OR022FT
VMP-R005-1.0-MB	25005-OR005FB	VMP-R025-0.5-MA	25005-OR025DA
VMP-R005-1.0-MT	25005-OR005FT	VMP-R025-0.5-MB	25005-OR025DB
VMP-R0068-0.5-MA	25005-R0068DA	VMP-R025-0.5-MT	25005-OR025DT
VMP-R0068-0.5-MB	25005-R0068DB	VMP-R025-1.0-MA	25005-OR025FA
VMP-R0068-0.5-MT	25005-R0068DT	VMP-R025-1.0-MB	25005-OR025FB
VMP-R0068-1.0-MA	25005-R0068FA	VMP-R025-1.0-MT	25005-OR025FT
VMP-R0068-1.0-MB	25005-R0068FB	VMP-R033-0.5-MA	25005-OR033DA
VMP-R0068-1.0-MT	25005-R0068FT	VMP-R033-0.5-MB	25005-OR033DB
VMP-R008-0.5-MA	25005-OR010DA	VMP-R033-0.5-MT	25005-OR033DT
VMP-R008-0.5-MB	25005-OR010DB	VMP-R033-1.0-MA	25005-OR033FA
VMP-R008-0.5-MT	25005-OR010DT	VMP-R033-1.0-MB	25005-OR033FB
VMP-R008-1.0-MA	25005-OR010FA	VMP-R033-1.0-MT	25005-OR033FT
VMP-R008-1.0-MB	25005-OR010FB	VMP-R039-0.5-MA	25005-OR039DA
VMP-R008-1.0-MT	25005-OR010FT	VMP-R039-0.5-MB	25005-OR039DB
VMP-R010-0.5-MA	25005-OR010DA	VMP-R039-0.5-MT	25005-OR039DT
VMP-R010-0.5-MB	25005-OR010DB	VMP-R039-1.0-MA	25005-OR039FA
VMP-R010-0.5-MT	25005-OR010DT	VMP-R039-1.0-MB	25005-OR039FB
VMP-R010-1.0-MA	25005-OR010FA	VMP-R039-1.0-MT	25005-OR039FT
VMP-R010-1.0-MB	25005-OR010FB	VMP-R050-0.5-MA	25005-OR050DA
VMP-R010-1.0-MT	25005-OR010FT	VMP-R050-0.5-MB	25005-OR050DB
VMP-R015-0.5-MA	25005-OR015DA	VMP-R050-0.5-MT	25005-OR050DT
VMP-R015-0.5-MB	25005-OR015DB	VMP-R050-1.0-MA	25005-OR050FA
VMP-R015-0.5-MT	25005-OR015DT	VMP-R050-1.0-MB	25005-OR050FB
VMP-R015-1.0-MA	25005-OR015FA	VMP-R050-1.0-MT	25005-OR050FT
VMP-R015-1.0-MB	25005-OR015FB	VMP-R068-0.5-MA	25005-OR056DA
VMP-R015-1.0-MT	25005-OR015FT	VMP-R058-0.5-MB	25005-OR056DB
VMP-R020-0.5-MA	25005-OR020DA	VMP-R068-0.5-MT	25005-OR056DT
VMP-R020-0.5-MB	25005-OR020DB	VMP-R068-1.0-MA	25005-OR056FA
VMP-R020-0.5-MT	25005-OR020DT	VMP-R068-1.0-MB	25005-OR056FB
VMP-R020-1.0-MA	25005-OR020FA	VMP-R068-1.0-MT	25005-OR056FT
VMP-R020-1.0-MB	25005-OR020FB	VMP-R100-0.5-MA	25005-OR100DA
VMP-R020-1.0-MT	25005-OR020FT	VMP-R100-0.5-MB	25005-OR100DB
VMP-R022-0.5-MA	25005-OR022DA	VMP-R100-0.5-MT	25005-OR100DT
VMP-R022-0.5-MB	25005-OR022DB	VMP-R100-1.0-MA	25005-OR100FA

Ordering code	PIN	Ordering code	PIN
VMP-R100-1.0-MB	25005-OR100FB	VMP-R300-0.5-MA	25005-OR300DA
VMP-R100-1.0-MT	25005-OR100FT	VMP-R300-0.5-MB	25005-OR300DB
VMP-R120-0.5-MA	25005-OR120DA	VMP-R300-0.5-MT	25005-OR300DT
VMP-R120-0.5-MB	25005-OR120DB	VMP-R300-1.0-MA	25005-OR300FA
VMP-R120-0.5-MT	25005-OR120DT	VMP-R300-1.0-MB	25005-OR300FB
VMP-R120-1.0-MA	25005-OR120FA	VMP-R300-1.0-MT	25005-OR300FT
VMP-R120-1.0-MB	25005-OR120FB	VMP-R390-0.5-MA	25005-OR390DA
VMP-R120-1.0-MT	25005-OR120FT	VMP-R390-0.5-MB	25005-OR390DB
VMP-R150-0.5-MA	25005-OR150DA	VMP-R390-0.5-MT	25005-OR390DT
VMP-R150-0.5-MB	25005-OR150DB	VMP-R390-1.0-MA	25005-OR390FA
VMP-R150-0.5-MT	25005-OR150DT	VMP-R390-1.0-MB	25005-OR390FB
VMP-R150-1.0-MA	25005-OR150FA	VMP-R390-1.0-MT	25005-OR390FT
VMP-R150-1.0-MB	25005-OR150FB	VMP-R470-0.5-MA	25005-OR470DA
VMP-R150-1.0-MT	25005-OR150FT	VMP-R470-0.5-MB	25005-OR470DB
VMP-R160-0.5-MA	25005-OR160DA	VMP-R470-0.5-MT	25005-OR470DT
VMP-R160-0.5-MB	25005-OR160DB	VMP-R470-1.0-MA	25005-OR470FA
VMP-R160-0.5-MT	25005-OR160DT	VMP-R470-1.0-MB	25005-OR470FB
VMP-R160-1.0-MA	25005-OR160FA	VMP-R470-1.0-MT	25005-OR470FT
VMP-R160-1.0-MB	25005-OR160FB	VMP-R500-0.5-MA	25005-OR500DA
VMP-R160-1.0-MT	25005-OR160FT	VMP-R500-0.5-MB	25005-OR500DB
VMP-R180-0.5-MA	25005-OR180DA	VMP-R500-0.5-MT	25005-OR500DT
VMP-R180-0.5-MB	25005-OR180DB	VMP-R500-1.0-MA	25005-OR500FA
VMP-R180-0.5-MT	25005-OR180DT	VMP-R500-1.0-MB	25005-OR500FB
VMP-R180-1.0-MA	25005-OR180FA	VMP-R500-1.0-MT	25005-OR500FT
VMP-R180-1.0-MB	25005-OR180FB	VMP-R560-0.5-MA	25005-OR560DA
VMP-R180-1.0-MT	25005-OR180FT	VMP-R560-0.5-MB	25005-OR560DB
VMP-R200-0.5-MA	25005-OR200DA	VMP-R560-0.5-MT	25005-OR560DT
VMP-R200-0.5-MB	25005-OR200DB	VMP-R560-1.0-MA	25005-OR560FA
VMP-R200-0.5-MT	25005-OR200DT	VMP-R560-1.0-MB	25005-OR560FB
VMP-R200-1.0-MA	25005-OR200FA	VMP-R560-1.0-MT	25005-OR560FT
VMP-R200-1.0-MB	25005-OR200FB	VMP-R820-0.5-MA	25005-OR820DA
VMP-R200-1.0-MT	25005-OR200FT	VMP-R820-0.5-MB	25005-OR820DB
VMP-R250-0.5-MA	25005-OR220DA	VMP-R820-0.5-MT	25005-OR820DT
VMP-R250-0.5-MB	25005-OR220DB	VMP-R820-1.0-MA	25005-OR820FA
VMP-R250-0.5-MT	25005-OR220DT	VMP-R820-1.0-MB	25005-OR820FB
VMP-R250-1.0-MA	25005-OR220FA	VMP-R820-1.0-MT	25005-OR820FT
VMP-R250-1.0-MB	25005-OR220FB	VMP-1R00-0.5-MA	25005-1R000DA
VMP-R250-1.0-MT	25005-OR220FT	VMP-1R00-0.5-MB	25005-1R000DB
VMP-R270-0.5-MA	25005-OR270DA	VMP-1R00-0.5-MT	25005-1R000DT
VMP-R270-0.5-MB	25005-OR270DB	VMP-1R00-1.0-MA	25005-1R000FA
VMP-R270-0.5-MT	25005-OR270DT	VMP-1R00-1.0-MB	25005-1R000FB
VMP-R270-1.0-MA	25005-OR270FA	VMP-1R00-1.0-MT	25005-1R000FT
VMP-R270-1.0-MB	25005-OR270FB		
VMP-R270-1.0-MT	25005-OR270FT		

* Further values on request

